

ECO 10 World Diffuser

Combining Ecology with Economy



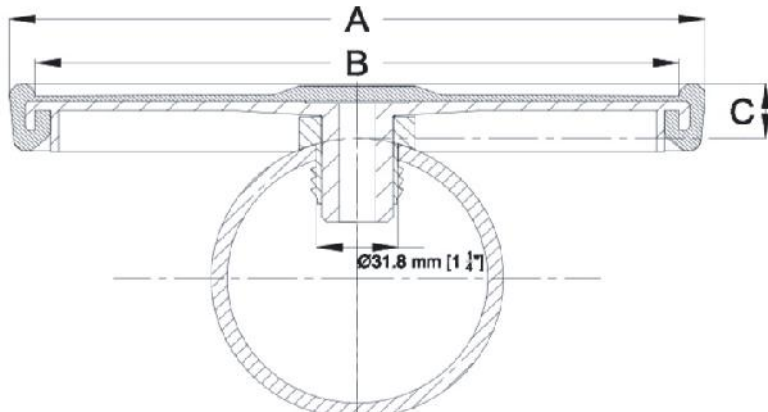
The **JAEGER OxyDisc™ ECO-10 Disc Diffuser Series** is among the most advanced fine bubble aeration membrane technology available to the Waste Water Treatment (WWT) Industry. It combines highest oxygen transfer efficiency and low energy usage. It covers **Oxygen Transfer Efficiency & Design Air Flow Range** per diffuser equivalent to conventional 7", 9" to 12" disc diffuser models all in one due to its **Unique Design** and **Advanced JAEGER Orifice Technology**. The **OxyDisc™ ECO-10 Disc Diffuser Series** is engineered and manufactured by **Gummi-Jaeger AERATION LLC**.

Gummi-Jaeger AERATION LLC is the waste water treatment industries pioneer of EPDM fine bubble membrane diffusers. We created the **world's first fine bubble rubber membrane diffuser** in **1975**. In the **United States** and **worldwide**, customers have benefited from **Gummi-Jaeger wastewater diffuser products since the early 1980s**. Gummi-Jaeger was instrumental in the initial design, rubber chemistry, perforation patterns for high SOTE of the majority of today's well know fine bubble diffuser suppliers. **Gummi-Jaeger AERATION LLC** is a third generation business and originated in Germany. **We produce domestically here in Colorado USA since 1994** membranes, assemblies, and components for original equipment manufacturers (OEMs) and supply **fine bubble aeration equipment solutions** to **municipalities** and **industrial clients** up to the top of the aeration tank. We are the industry's only full line supplier who offers **fine bubble membrane disc, tubular, and strip diffusers / aerators** equipped with **EPDM, Silicone** or **Polyurethane membrane materials**.

Gummi-Jaeger Aeration LLC and its **Distributors** offer advanced fine bubble aeration solutions including mass transfer calculations, basin and lateral pipe system design, fine bubble membrane and coarse bubble diffuser, stainless and PVC lateral piping and header pipes up to the top of the aeration tank.

JAEGER OxyDisc™ ECO-10 Diffuser Series Dimensions

| OxyDisc™ Disc Type | Disc Class | Overall disc OD Ø A | Effective disc membrane Ø B | Overall heights top of membrane to top of header pipe C | Perforated Area | Plastic Base material | Membrane Material | Weight per part |
|-----------------------|------------|------------------------|--------------------------------|--|-------------------|-----------------------|-------------------|-----------------|
| | | [mm] | [mm] | [mm] | [m ²] | | | [kg] |
| ECO 10 | 10" | 275 | 245 | 26 | 0.044 | PP GF 30 | EPDM | 0.70 |



| JAEGER OxyDisc™ Membrane Material Specifications | |
|---|---------------------------------------|
| JAEGER WWT OxyDisc™ Diffuser Membrane compound names | GJ EPDM F 042 |
| Base Polymer | EPDM |
| Color | Black |
| Wall thickness [mm] | 1.9 – 2.5 +/- 0.2 |
| Hardness Shore A [DIN 53505 / ASTM D2240] | 53 +/- 5 |
| Specific gravity [DIN 53479 ASTM D297] | 1.15 |
| Tension set [100 % elongation 24H, RT] | Low |
| Operating temperature range | 5° C to 60° C [41° F –140° F] |
| Suitable for Waste Water Treatment Applications (WWT) | Municipal & industrial WWT |
| Customer product selection guide | Standard municipal WWT |

OxyDisc™ ECO-10 Diffuser – Grommets / Header Pipe Mounts

OxyDiscs™

¾" Universal
Saddle

Header pipe wall
thickness 2-8 mm

Header pipe diameter
3" / 75mm to

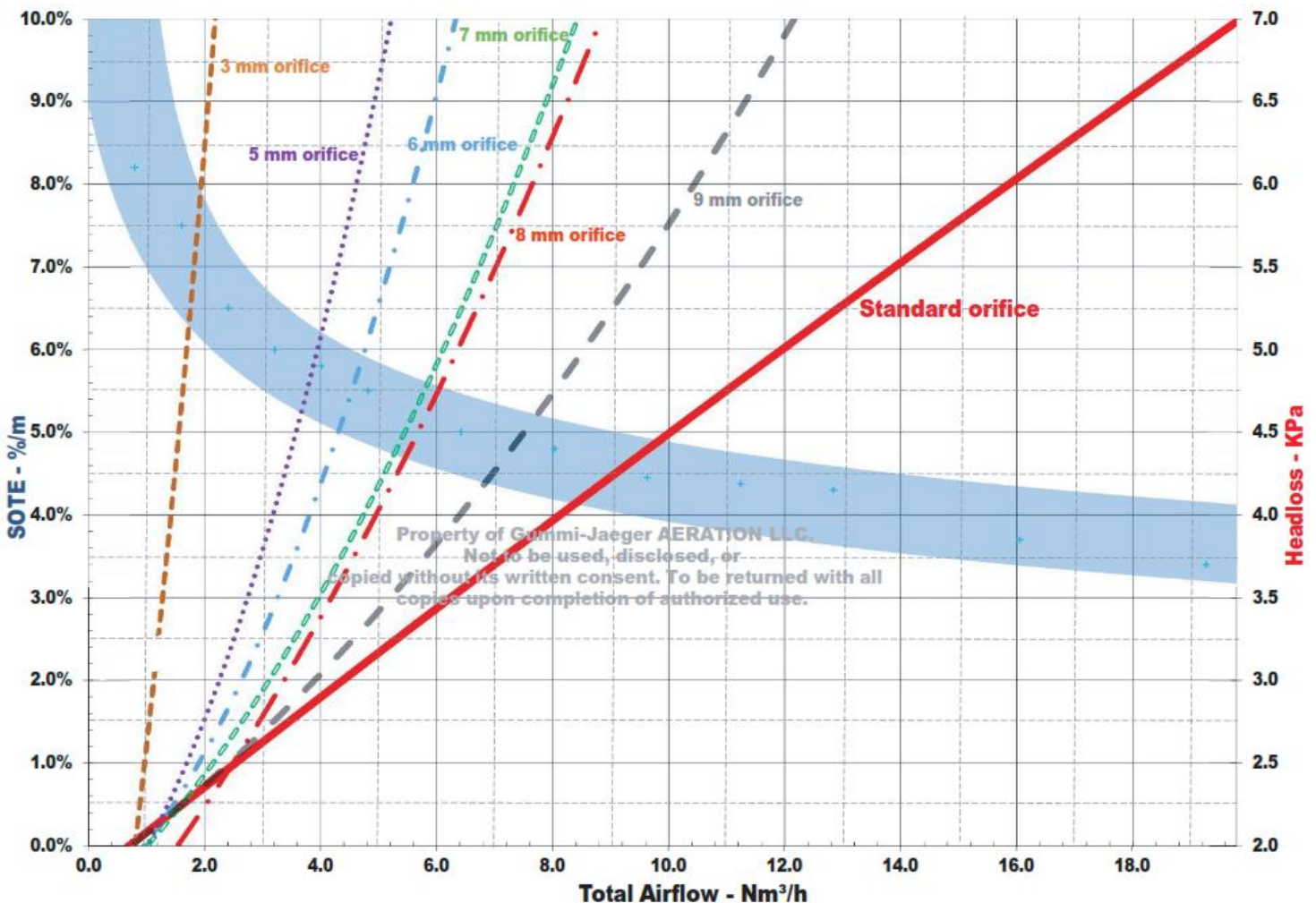
8" / 200mm [Sched 40
PVC or Sched 10 stainless]

Grommet hole size
into header pipe
31.8mm / 1 ¼"

Material
PVC Glue On or
EPDM 75 +/- 5 Shore
A black

JAEGER OxyDic™ ECO-10 Diffuser Recommended Airflow Rate

| OxyDisc™ Diffuser Type | Recommended Operating Range per diffuser membrane [Nm³/h] | Max. allowable airflow [N m³/h] |
|------------------------|---|---------------------------------|
| ECO-10 | 2.0 – 20.0 [1.0 – 12.0 SCFM] | ≤ 12 [20.00 SCFM] |



SOTE curves for reference and benchmark SOTE test comparing JAEGER Oxy****™ diffusers to select competitors' models are available on special request. SOTE is subject to tank geometry, diffusers submergence depth, diffuser density and other factors. Contact Gummi-Jaeger AERATION LLC representative for specific fine bubble aeration system layout and application engineering questions.

Gummi-Jaeger AERATION LLC Distributor



Gummi-Jaeger AERATION LLC, USA
4175 Mulligan Dr.
Longmont, CO 80504 U.S.A.
Phone: +1-970-535-0554
Fax: +1-970-535-0945
info@jaeger-aeration.com
www.jaeger-aeration.com

Disclaimer: This information is based on our present state of knowledge and is intended to provide general notes on our products and their uses. It should not therefore be construed as guaranteeing specific properties of the products described or their suitability for a particular application. Any existing industrial property rights must be observed. The quality of our products is guaranteed under our General Conditions of Sale.